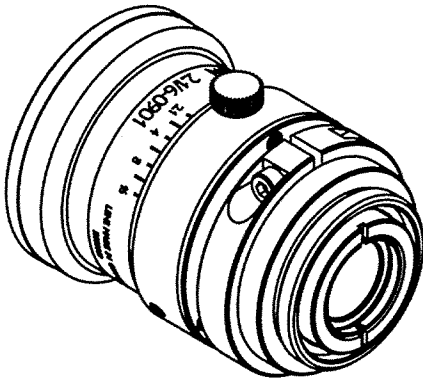
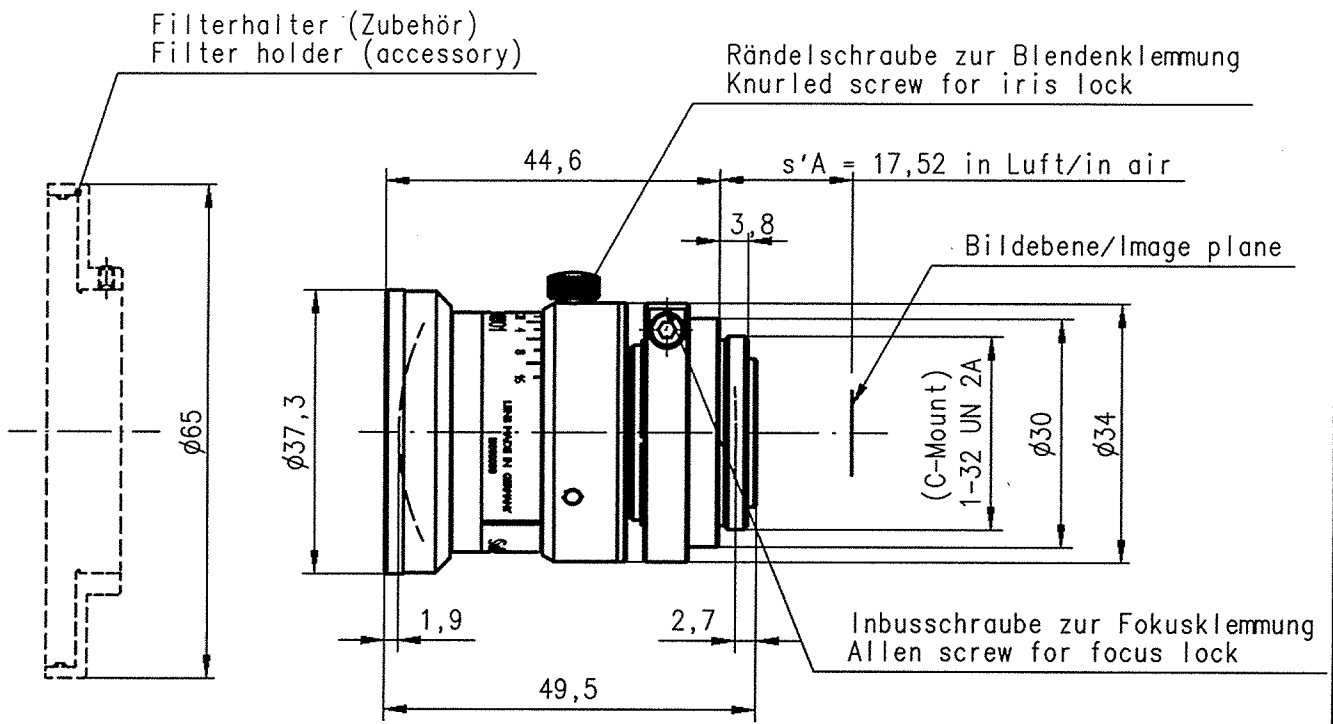


The reproduction, distribution and utilization of this document as well as the communication of its contents to others without explicit authorization is prohibited. Offenders will be held liable for the payment of damages. All rights reserved in the event of the grant of a patent, utility model or design.



Optische Grunddaten (Optical Data)

Linsen, Glieder (Lenses, Elements)	9/8	s'_{AP}	-23,33	empf. Bildformat (Size of image, recommended)	6,6x8,8				
f'	6,23	β' Bereich (β' area)	-	Bildkreis (Image circle)	11				
s'_F	15,29	β'_p ($\beta' = 0$)	6,2	Blendenbereich (Iris range)	2,1-16				
s'_H	9,06	$00'$ ($\beta' = 0$)	∞	Filterhalter mit Filtergewinde M62x0,75 (Filterholder with filterthreading)	14604				
HH'	34,69	s_1 ($\beta' = 0$)	∞	Gewicht (Weight)	110 g				
$S_1 S_k$	44,98	s'_k ($\beta' = 0$)	15,29	Schutzkappe vorn (Front Lens Cap)	30346				
s_{EP}	14,13			Schutzkappe hinten (Rear Lens Cap)	30422				
Blendenzahl (f stop)	2,1	2,8	4	5,6	8	11	16		
Blenden ϕ (Iris ϕ)	7,9	5,6	3,9	2,7	1,9	1,4	1		

Angaben ohne Einheiten in mm (All dimensions without unit in mm)

Nur zur Information (Only for information)

Änderungsindex (Amendment index)	-	Datum (Date)	-	Kunde (Customer)	-	
Datum (Date)	Name	Objektiv (Lens)			Bestell-Nr. (Order-No.)	
dwg.	14.11.08	Linn	CINEGON 2, 1/6-0901			1055691
V checked	14.11.08	<i>[Signature]</i>	Jos. Schneider Optische Werke GmbH			
PP checked	17.11.08	<i>[Signature]</i>	Ringstr. 132 55543 Bad Kreuznach			
	Design intend mil. ind. photo proj.	Maßstab (Scale)	Germany			
	<input type="checkbox"/> <input checked="" type="checkbox"/> <input type="checkbox"/> <input type="checkbox"/>	1:1				