

SWIR lens

SWIRON 2.8/40

The SWIRON high-performance lenses of the G and V-Mount compact series are extremely robust and insensitive to rough ambient conditions, with the result that the lenses retain their high optical imaging performance in industrial environments. The secure locking of the iris and focus settings and the SWIR coating of 800 – 1800 nm is standard for all these lenses.



SWIRON 2.8/40

Key Features

- ??Designed for 800 – 1800nm
- ??Compact and low weight
- ??High transmission
- ??Distortion less than 1%
- ??Usage of highly transparent glass for SWIR range
- ??Special lack inside the lens to minimize light scatter in the SWIR range
- ??Focus and iris setting lockable

Applications

- ??Machine Vision and other imaging applications
- ??3D measurement
- ??Traffic
- ??Medical

Technical Specifications

F-number	2.8
Focal length	40 mm
Image circle	43 mm
Transmission	800 - 1800 nm
Interface	V-Mount
Weight	108 gr.
Option	Other interface on request

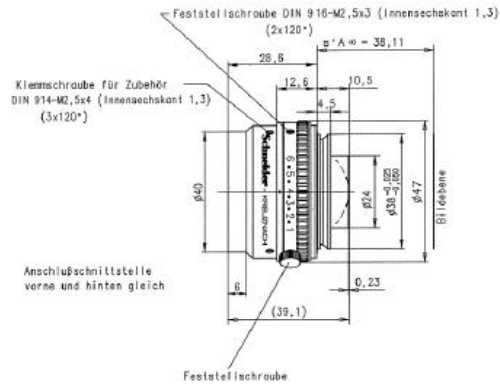
Contact

Jos. Schneider Optische Werke GmbH
 Ringstraße 132
 55543 Bad Kreuznach
 Germany
 Phone +49 671 601-490
 Fax +49 671 601-286
www.schneiderkreuznach.com/industrialoptics
industrie@schneiderkreuznach.com

Schneider Asia Pacific Ltd.
 20/F Central Tower, 28 Queen's Road
 Central, Hong Kong
 China
 Phone +852 8302 0301
 Fax +852 8302 4722
www.schneiderasiapacific.com
info@schneider-asiapacific.com

Schneider Optics Inc.
 285 Oser Ave.
 Hauppauge, NY 11788
 USA
 Phone +1 631 761-5000
 Fax +1 631 761-5090
www.schneideroptics.com/oem
oem@schneideroptics.com

SWIRON 2.8/40



R 4952.0 APO-Obj. 2.8/40
 1:1
 4952.0
 1:1
 4952.0

