

# FUJIFILM

NEW FOR  
2012

# 5MP 360°

## PANOMORPH



**HD**

**5MP**

**Day  
Night**

**AT**  
ASPHERIC TECHNOLOGY



# FUJINON

# 360° made simple and open



## The panomorph lens “new generation” of 360° wide-angle lenses.

- Eliminates blind spots
- Increased situational awareness
- The perfect complement to PTZ and fixe cameras
- Visualize 360° video without distortion using Video Management Software solutions (VMS) certified ImmerVision Enables®\*

The combination of ImmerVision Enables panomorph lens, software and compatible CCTV camera offers a flexible usage of 360° immersive view. By using ImmerVision enables DVRs, NVRs, and VMS you are able to navigate without any distortion (dewarping) inside the image like a digital PTZ.

\*Visit [www.immervisionenables.com](http://www.immervisionenables.com) for an up to-date list of certified DVR, NVR and VMS solutions.

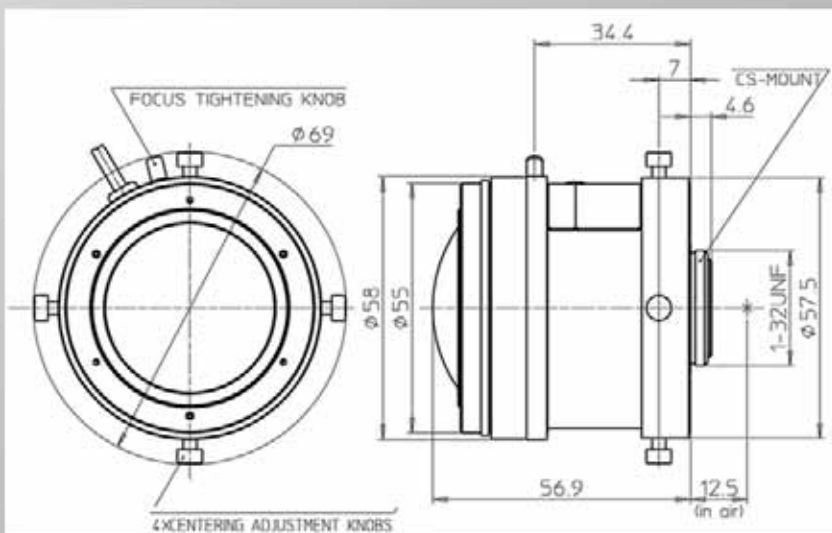
## The panomorph lens is characterized by these unique features:

- More pixels coverage on camera sensors compared to Fish-Eye lenses
- Object size magnification in area of interest (periphery) compared to Fish-Eye lenses



Panomorph Lens

Fish-Eye lens



### DF360SR4A-SA2

Image format	1/2.5"	
Focal length	1.3mm	
Iris range	F2.0 - close	
Operation	Focus	Manual
	Iris	Auto (DC type) *
Angle of view (H x V)	182° x 182°	
Anamorphic ratio	1.3 (4:3)	
Focusing range (from front of the lens)	Infinity ~ 0.1m	
Mount	CS	
Mass	265g	
Remarks	ImmerVision Enables RPL: A1UST	

\*The iris automatically closes when the camera is turned off.

**FUJIFILM**

**FUJIFILM North America Corporation**

Optical Devices Division  
10 High Point Drive; Wayne, NJ 07470-7434  
[www.fujinon.com](http://www.fujinon.com)