

Full HD HD-SDI Camera KP-HD2005R-S5



■ KP-HD2005R-S5

- Full HD 2.38 mega pixel camera, utilizing a new 1/1.9 high sensitive, 1080P, CMOS sensor that produces a high definition picture at a frame rate of 30/25 fps, progressive scan output.
 - 0.009 lux (color, F1.2, AGC 75dB, gamma high, SEN UP:OFF)
 - More than 60dB signal to noise ratio (HD-SDI & VBS outputs, AGC 0dB, detail -128, Gama OFF)
 - Camera offers focus output function from camera. When used with Hitachi's IF-PCB interface, it can dramatically improve CCTV zoom lens Auto Focus speed & accuracy
 - Heat Haze correction, real time in FULL HD (when used with Hitachi's HHC-3000)
 - Fog adjust mode deployment
- Adaptive Fog Reduction (AFR) allows camera to see through fog, dust & smoke real time in both HD & SD modes simultaneously.



7 times
greater FOV

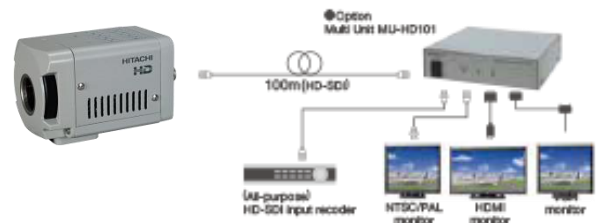


Than VGA / SD



Text

■ System Chart



■ Adaptive Fog Reduction

Fog Reduction ON



Fog is removed from HD image allowing greater detail

Fog Reduction OFF

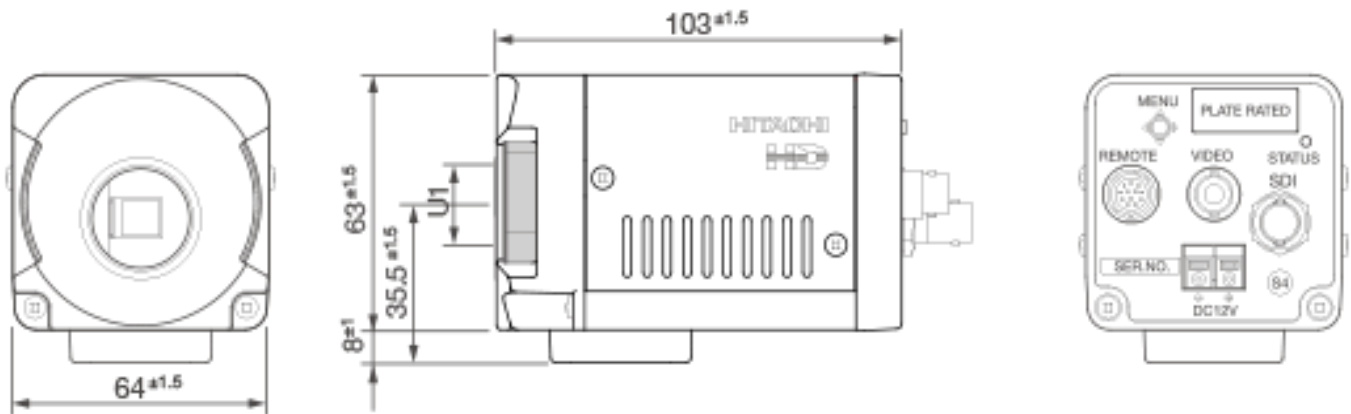


Typical HD camera cannot see through fog

■ Main Specifications

KP-HD2005R-S5	
Imaging device	1/1.9 CMOS (RGB Bayer color)
Total pixels	1952(H) X 1241(V) 2.4M pixels
Effective pixels	1937(H) X 1097(V) 2.38M pixels
Imaging System	Progressive 30 fps / 25 fps (P-type)
Sync system	Internal
Video output	HD-SDI (SMPTE292M) & Analog VBS (selectable PAL or NTSC)
Video format	HD-SDI: 1080/59.94i, 1080/29.97 P, 1080/50i, 1080/25 p
Minimum illumination	Color : 0.009 lux (F1.2 AGC:75dB, Gamma: High, SEN UP OFF) B&W : 0.0005 lux (F1.2 AGC:75dB, Gamma: High, SEN UP OFF) *3200K Tungsten lamp used for testing
S/N ratio	More than 60dB
Resolution	Horizontal resolution more than 800 lines TV lines
Operational	
AGC	OFF / Auto (Max Gain 75dB, fog OFF, Max Gain 42dB, fog ON)
Electronic shutter	OFF / AES / Manual (1/30 to 1/100000 sec)
Electronic sensitivity (SEN UP)	OFF / Auto (Max 60 times) / Manual (2 to 30 times)
Fog Reduction	OFF / ON / Auto (1 to 128 levels)
Day & Night (W/B switching)	COLOR / B&W / Auto (ICR)
BLC	OFF / ON (photometry area with ROI capability)
White Balance	Auto : ATW Manual : Manual (2500K – 8000K)

■ External dimensions



⚠ CAUTION : To ensure safe operation, please read the instruction manual before using this product.

Hitachi Kokusai Electric Inc.

These Specifications are subject to change without notice.

32, Miyuki-cho, kodaira-shi, Tokyo 187-8511, Japan
Phone : +81-50-3383-3432, Fax : +81-42-322-3270
URL : <http://www.hitachi-kokusai.co.jp/global/index.html>

Hitachi Kokusai Electric Europe GmbH URL : <http://www.hitachi-keu.com>

Hitachi Kokusai Electric Asia (Singapore) Pte. Ltd.
URL : <http://www.hitachi-kokusai.com.sg>

Frankfurt Head Office : Siemensstr. 9, D-63263 Neu-Isenburg, Germany
Phone : +49(0) 6102-8332-0, Fax : +49(0) 6102-202616
London Office : Windsor House, Queensgate, Britannia Road, Waltham Cross, Hertfordshire EN8 7NX, United Kingdom
Phone : +44(0) 845-121-2177, Fax : +44(0) 845-121-2180
General email address : webmaster@hitachi-keu.com

Head Office : 7 Tampines Grande, #02-04 Hitachi Square, Singapore 528736
Phone : +65-(0)6212-1945, FAX : +65-(0)6231-2429
China Office : Room 1415, Fortune building Beijing, 5 Dong San Huan Bei-Lu, Chao Yang District, Beijing, China, 100004
Phone : +86(0) 10-6590-8755/8756, Fax : +86(0) 10-6590-8757
Korea Office : 7F, The Korea Chamber of Commerce & Industry 45, Namdaemunro 4ga, Jung-gu, Seoul, 100-743, Korea
Phone : +82-(0)2-6050-8581, Fax : +82-(0)2-6050-8589

Hitachi Kokusai Linear Equipamentos Eletrônicos S/A URL : <http://www.linear.com.br>
Head Office : Rodovia BR 459, No121-A, Km 121 - Bairro Corrego Raso, Santa Rita do Sapucaí, MG -Brazil
Phone : (+55 35) 3473-3473, Fax : (+55 35) 3473-3474
Sales Office : Alameda Santos 745, -9 Ander- Cj, 91-B, Cerqueira Cesar, Sao Paulo, SP -Brazil
Phone : (+55 11) 3541-3244, Fax : (+55 11) 3541-2425

Hitachi Kokusai Electric America, Ltd. URL : <http://www.hitachikokusai.us>

Hitachi Kokusai Electric Turkey Elektronik Ürünleri Sanayi ve Ticaret A.Ş.
URL : <http://www.hitachi-kokusai.com.tr>

Headquarters : 150 Crossways Park Drive, Woodbury, NY 11797, U.S.A.
Phone : +1 (516) 921-7200, Fax : +1 (516) 496-3718
West Office : 11258 Monarch Street, Unit H, Garden Grove, CA 92841, U.S.A.
Phone : +1 (714) 895-6116, Fax : +1 (714) 895-6252
Northeast Sales : Phone : +1 (860) 757-3892
South Sales : Phone : +1 (850) 934-1234
Midwest Sales : Phone : +1 (330) 334-4115
Latin Sales : Phone : +1 (516) 682-4408

Head Office : Palladium Ofis ve Residence Binasi Barbaros Mahallesi Halk Caddesi No:8/A Kat:2-3 34746 Atasehir Istanbul Turkey
Phone : +90-216-663-6045, Fax : +90-216-663-6100
Branch : Istanbul Endustri ve Ticaret Serbest Bolgesi Akif Kopuz Caddesi No:3 34957 Tuzla Istanbul Turkey
Phone : +90-216-394-2908, Fax : +90-216-394-2909