

OPTICAL & MECHANICAL SPECIFICATIONS

1. APPLICATION	1/3" FORMAT COLOR CAMERA
2. ZOOM RATIO	17X
3. FOCAL LENGTH	4.5 mm - 77 mm
4. Maximum Relative Aperture	1 : 1.6
5. IRIS RANGE	1.6 - 16 , CLOSE
6. Image Size	φ6 mm (4.8 mm X 3.6 mm)
7. Back Focal Length	19.95 mm (in air)
8. Flange Focal Length	17.526 mm (in air)
9. Focus Range	∞ - 0.95 m
10. Field Angle	
a) Horizontal	Wide 56°9'   Tele 3°34'
b) Vertical	Wide 43°36'   Tele 2°41'
c) Diagonal	Wide 67°23'   Tele 4°28'
11. Field of View at M.O.D.	
a) Horizontal	Wide 920 mm   Tele 55 mm
b) Vertical	Wide 690 mm   Tele 41 mm
12. Clear Aperture	
a) Front	φ70.8 mm
b) Rear	φ20 mm
13. Mount	C-Mount
14. Filter Screw Size	M82X0.75 mm
15. Mass	Approx. 1.4 kg

ENVIRONMENTAL CONDITIONS

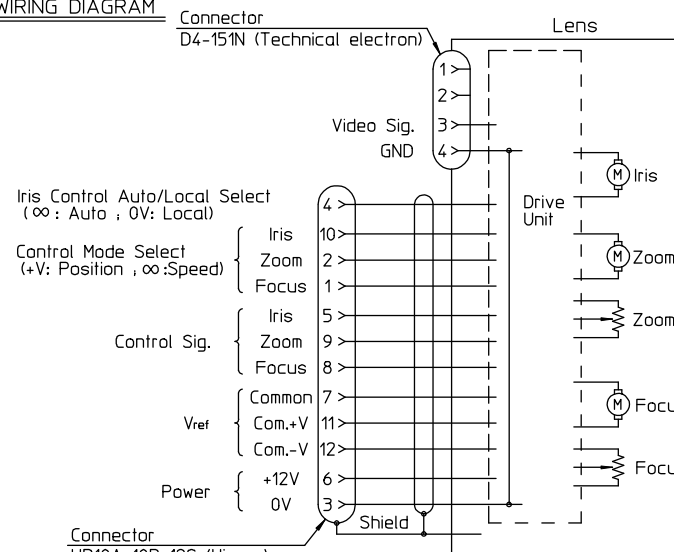
1. Temperature	
a) Operating	-10°C to +50°C
b) Storage	-20°C to +60°C
2. Relative Humidity	35% to 90%

ELECTRICAL SPECIFICATIONS

1. Power Consumption	
a) Rated Voltage	+12V DC (+10.5V to +16V)
b) Current Consumption	250 mA (Max.)
2. Iris Characteristics	
a) Control	Auto or External Control by Servo
b) Auto	
Input Signal	Composite Video Signal (1V <sub>p-p</sub> ) or Video Signal (0.7V <sub>p-p</sub> )
Input Impedance	10k $\Omega$ (Typ.)
Level Control Range	See Fig. A
Accuracy	±3.5% (at 0.5V A.P.L.) (*1)
c) External Control	
Control Signal	VREF (+5.0V) ±2.5V DC
Operation Time	Approx. 3 s / Full Travel
3. Zoom Characteristics	
a) Control	External Control by Servo
b) Control Signal	VREF (+5.0V) ±2.5V DC
c) Operating Time	Approx. 3 s / Full Travel
4. Focus Characteristics	
a) Control	External Control by Servo
b) Control Signal	VREF (+5.0V) ±2.5V DC
c) Operating Time	Approx. 3 s / Full Travel

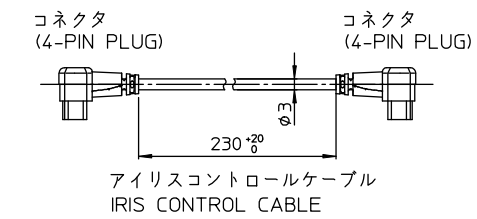
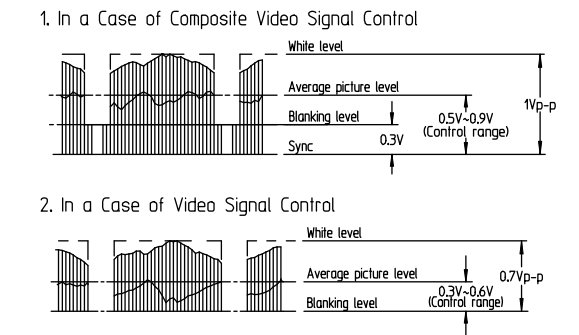
(\*1) A.P.L. ; Average Picture Level

WIRING DIAGRAM

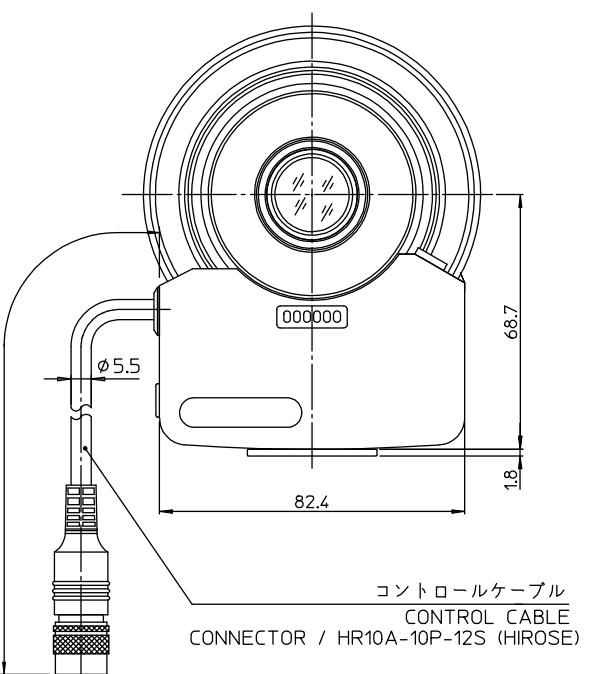


REVISIONS				
SYM	DATE	DESCRIPTIONS	CHG	CHG No.
X△				
X△				

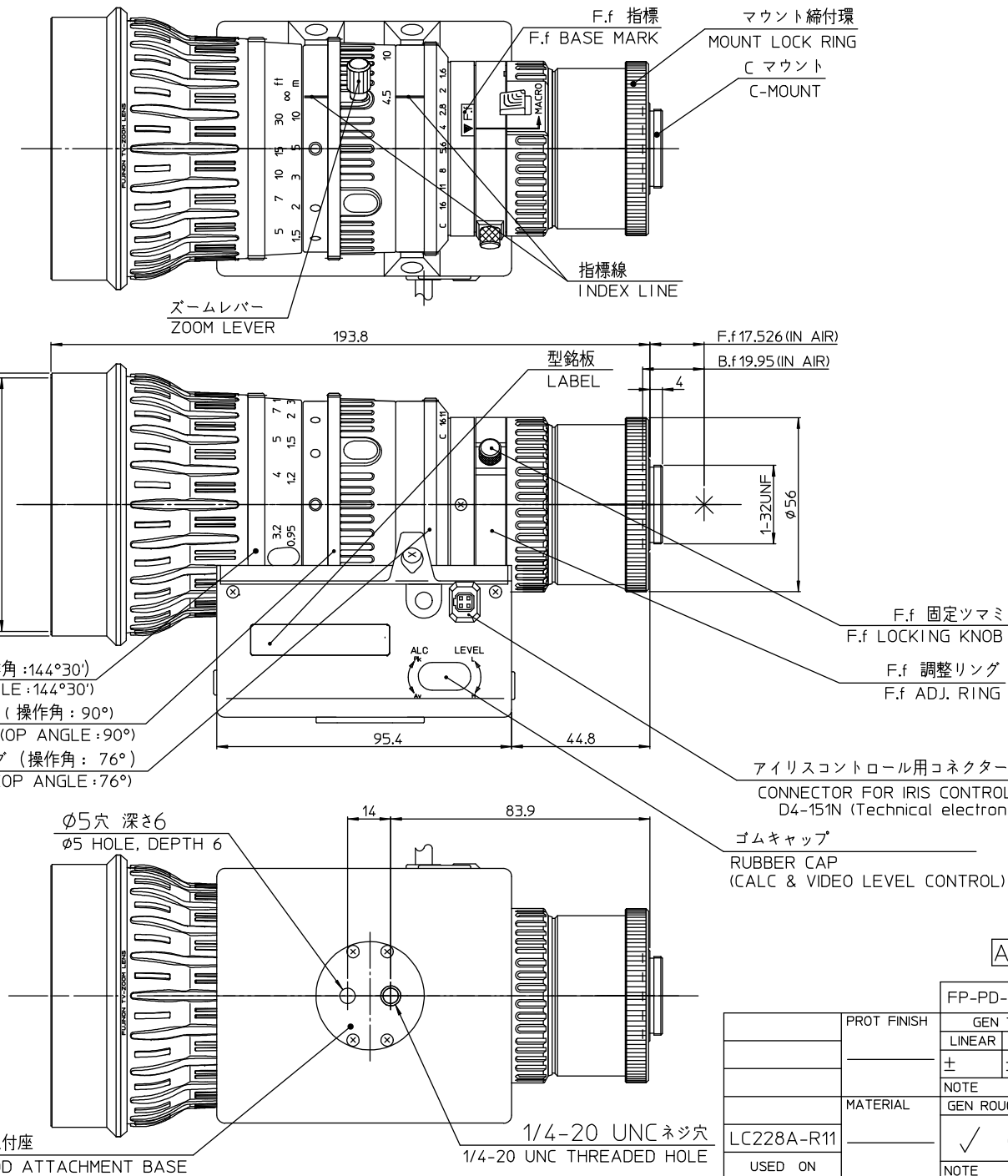
Fig.A (Level Control Range)



アイリスコントロールケーブル  
IRIS CONTROL CABLE



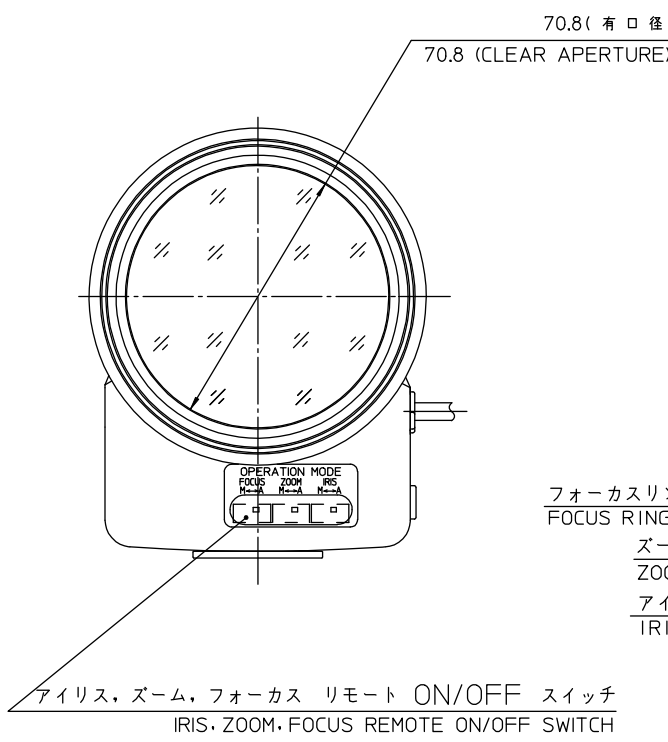
コントロールケーブル  
CONTROL CABLE  
CONNECTOR / HR10A-10P-12S (HIROSE)



フォーカスリング (操作角: 144°30')  
FOCUS RING (OP ANGLE: 144°30')

ズームリング (操作角: 90°)  
ZOOM RING (OP ANGLE: 90°)

アイリスリング (操作角: 76°)  
IRIS RING (OP ANGLE: 76°)



アイリス、ズーム、フォーカス リモート ON/OFF スイッチ  
IRIS·ZOOM·FOCUS REMOTE ON/OFF SWITCH

ALL FIGURE AND PERFORMANCES ARE TENTATIVE

FP-PD-		FUJIFILM Corporation OPTICAL DEVICE BUSINESS DIV. 1-324 UETAKE, KITA-KU, SAITAMA CITY, SAITAMA 331-9624, JAPAN			
GEN TOL		DR	K.Nozaki	MAY-1	TITLE
LINEAR	ANGLE	DSGN	K.Nozaki	MAY-1	XT17sx4.5DA-R11
±	±	CHK	T.Osawa	MAY-1	
MATERIAL		APPD	N.Nishimoto	MAY-1	SH
LC228A-R11		DATE	SCALE		DWG No.
USED ON		MAY-1-2013	1:2 ( : )		93A12855920
NOTE					